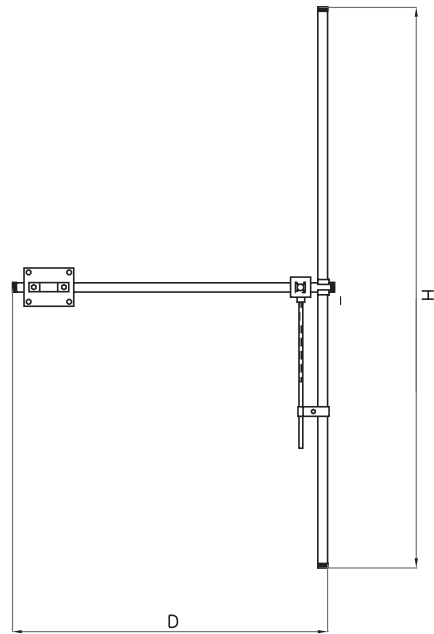


DP-S VERTICAL DIPOLE FM BROADCAST ANTENNA

- **General.** The DP-S Vertical Dipole Antenna is designed for low power operations in FM Broadcast Band (87,5 –108 MHz). This antenna is composed of one non-corrosive aluminium alloy vertical dipole and a mounting bracket.
- **Effective cost.** Good performances at effective cost is the main feature of this antenna.
- **Omni-Directional.** The azimuth pattern is normally circular but could be modified by the mounting structure presence. As an option, the circularity of the horizontal pattern in presence of mounting structure can be factory tested.
- **Antenna systems.** Stacking more antennas it's possible to obtain customized patterns, increase the gain and the power handling capacity according to user requirements. Custom patterns, electrical beam tilt and null fill are available upon request.
- **Broadband.** 10 MHz of bandwidth permits channel or broadband operations with multi-channel combiners.
- **Instant installation.** The reduced overall dimensions and the low weight permit an easy installation even on light poles.
- **Disassemblable.** This antenna is disassemblable in order to reduce the shipment and stocking costs.
- **Lightning resistance** is guaranteed by the DC ground potential of the entire antenna.



NOTE: FOR DIMENSIONS SEE THE MECHANICALS TABLE BELOW

R.F. Data:

Frequency Range	87.5 - 108 MHz
Bandwidth	10 MHz
Polarization	Horizontal
Connector	N female
Max. power handling capability	0.6 kW
Gain (at mid band, ref. to $\lambda/2$ dipole)	1 dBd
VSWR (in the whole band)	<-20 dB
Impedance	50 Ω
Front to back ratio	>21 dB
Wind load (ref. 150 Km/h):	
-Frontal	18 Kg
-Lateral	24 Kg
Grounding	Via clamps
Horizontal Beamwidth (at -3 dB, at mid band)	58°
Vertical Beamwidth (at -3 dB, at mid band)	98°

Mechanicals

Materials	Aluminium
Pole diameter	25 - 55 mm (others on request)
Dimensions (HxWxD):	
88 - 98 MHz Frequency band	80x1500x1000 mm
98 - 108 MHz Frequency band	80x1340x1000 mm
Weight	2.3 – 2.5 Kg

